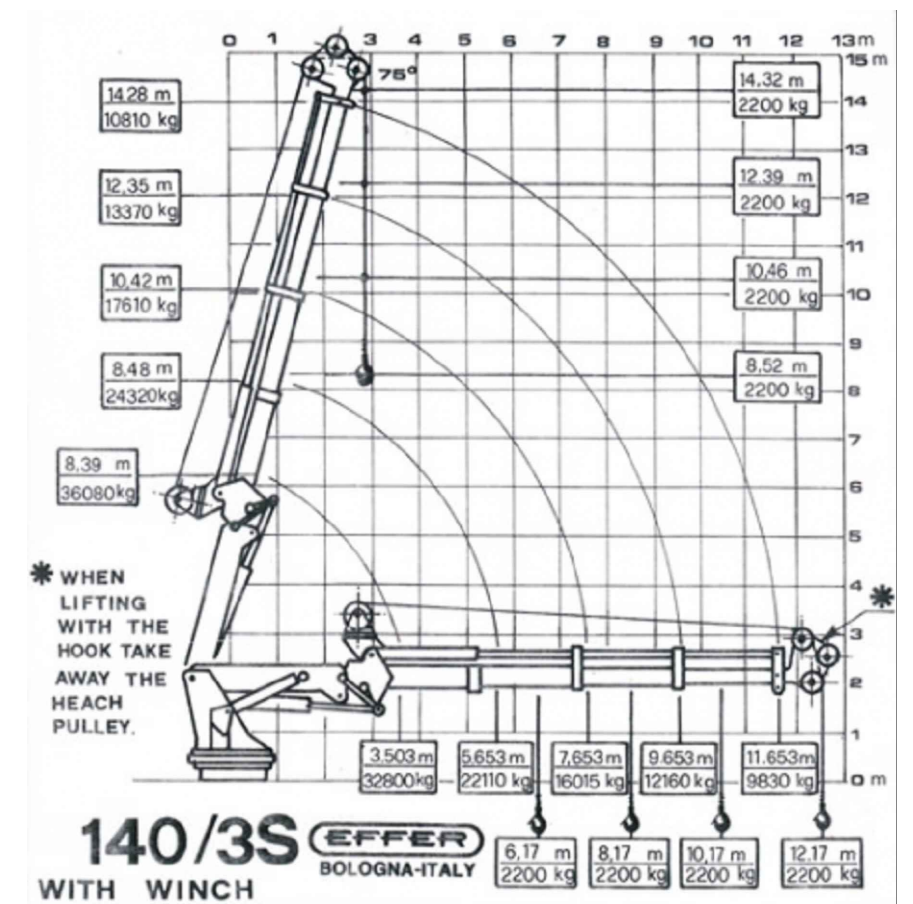


### SPECIFICATION

NAME: M.P.V. HOUND DOG  
 CLASS: SOCIETY OF CONSULTING MARINE ENGINEERS & SHIP SURVEYORS (SCMS) 60NM FROM SAFE HAVEN  
 FLAG: UK  
 PORT OF REG.: LONDON  
 CALL SIGN:  
 MMSI No.:  
 LENGTH: 24.96m  
 BEAM: 10.06m  
 DRAUGHT: 2.40m  
 AIR DRAUGHT:  
 TONNAGE: GRT / NRT  
 BOLLARD PULL: 17.20 Tons

### DECK CRANE LOAD CAPACITY CHART



<p>CPBS MARINE SERVICES</p> <p>0800 019 15 16 / 01689 898 959 MARINESERVICES@CPBS.CO.UK</p>	TITLE <b>MPV HOUND DOG GENERAL ARRANGEMENT DIAGRAM</b>				
	DRAWN BY <b>MCC</b>	DATE <b>20/02/17</b>	PROJECTION 	STATUS <b>FOR USE</b>	
	CHECKED BY <b>WMC</b>	DATE <b>22/02/17</b>	UNITS <b>mm / °</b>	REVISION <b>0</b>	SHEET/OF <b>01/01</b>
	APPROVED BY <b>SNE</b>	DATE <b>22/02/17</b>	SCALE <b>1:150</b>	DRAWING REFERENCE <b>HOUND DOG-001</b>	