

MPV HOUND DOG

The Hound Dog is a Damen built multi-purpose vessel and is the largest of our marine services fleet.

The Hound Dog was built in Damen Shipyards in Hardinxveld, Netherlands in 1990 and originally named DMS4004 for Damen Marine Services. She was purchased and brought over from Holland by CPBS Marine Services in January 2017.



Hound Dog Multicat - newest addition to our fleet

Vessel Specification

Dimensions

Length	Beam	Max Draught	Moulded Depth at sides
25.60m	10.06m	2.4m	3.35m

Propulsion System

Main engines: 2 x Caterpillar 3412 B DI-TA (410kw each)

Aux engines: 2 x Caterpillar 334 (85kw each)

Crane engine: 1 x Caterpillar 3406 (156kw)

Total propulsion power: 820kw

Bollard pull: 17.2 ton



Hound Dog Wheelhouse

Deck Equipment

Marine knuckleboom crane: Effer 140/ 3S (140 ton/mtr, 3 extensions with 5 ton winch)

Winches: 1 x 60t and 1 x 30t

Capstan: 5t

Bow roller: 450mm

Mampaey quick release towing hook: 20t

Deck protection: timber

Hydraulic shark-jaw tow pin

Tank Capacities

Ballast tanks volume: 98m³

Fuel bunker capacity: 113.5m³

Fuel bunker pump capacity: 36m³/ hr

Fresh water capacity: 15.2m³

Fresh water bunker pump capacity: 36m³/hr

Grey tank capacity: 5m³

Accomodation

Wheelhouse with deck crew bench seating and skipper's desk

1 x skipper's cabin

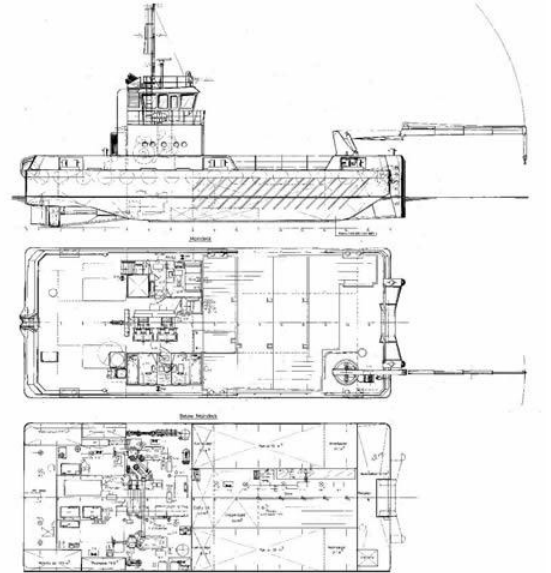
1 x 3 berth crew cabin

Day room/ galley

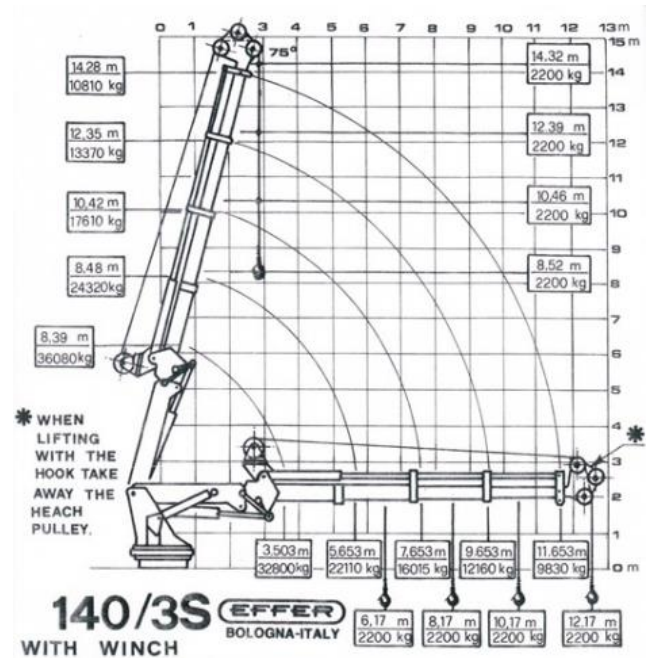
Sanitary space with basin, loo and shower

Workshop

CPBS Hound Dog



Hound Dog's general arrangement



Hound Dog's crane load chart



MPV HOUND DOG

Navigational Equipment

AIS: Class A

Radar: Furuno

GPS/ DGPS: Furuno

Echo sounder: Furuno

Chart plotter: Furuno

Auto pilot: Furuno

Hailer: Furuno

EPIRB: McMurdo

VHF: 2 x fixed sailor 2048

Hand held VHF: 2 x ICOM M32

Fixed search light

Safety equipment

Emergency bilge pumps and alarms

MSA approved first aid kit

Jason's cradle and davit retrieval arm

4 x survival suits

4 x life rings with light and smoke pot

4 x life rings with 18 metres of line

4 x standard life rings

Anchor and chain

4 x thermal protection aids

Torch

Boat hook

Suitable for use as

Bridge survey boat, dive boat, film and camera boat, windfarm support vessel, towing, pushing, lifting, fetching, carrying, site work, marine construction support vessel, repair and all round maintenance boat.